

CBTU universal plate clamp with movable pivot.



For vertical lifting and transporting (thin) sheet metal. Special movable pivot in the clamp provide extra pressure on the material, eliminating the risk of slippage. No minimum weight required.

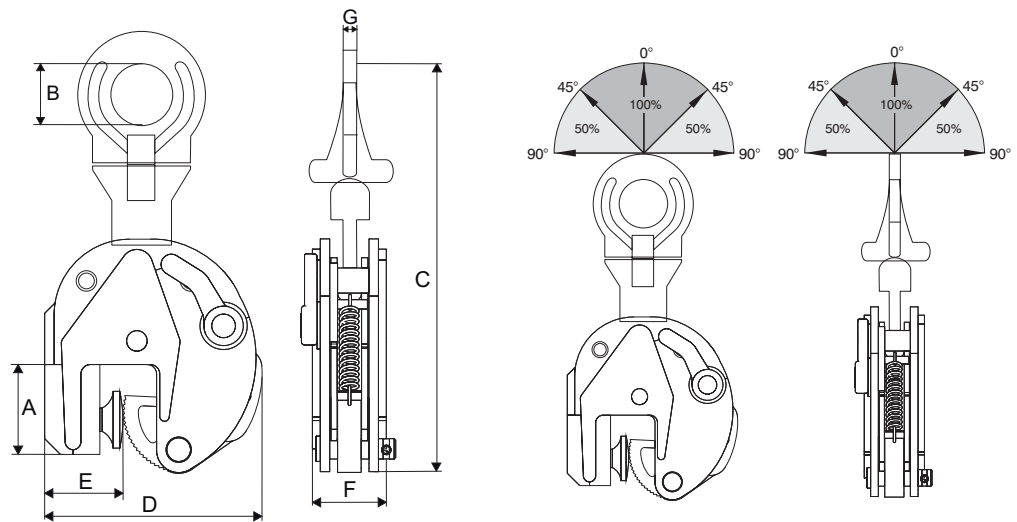
Properties

- Movable pivots.
- Universal lifting eye.

Norm:

- EN12100-1/2, EN13155, AS4991, ASME-B30,20

Safe workload when used under different angles



Type	WLL (kg)	Jaw opening (mm)	A (mm)	B (mm)	C (mm)	D (mm)	E (mm)	F (mm)	G (mm)	Weight (kg)	ProductId
CBTU-0.25	250	0-13	53	30	200	110	50	38	10.5	2	3364100